

Magnetic Particle Testing

- weight - 7lbs
- lift capacity - meets or exceeds ASTM standards with min. lift @ 10lbs
- power source - 42/115/220 VAC 50/60Hz
- mechanical capacity - 0-12"
- for use with dry powder, wet visible or fluorescent
- AC inspection



Model ES-X Ferrous-Probe™ Flexible

The Ferrous-Probe™ ES-X is a portable, lightweight, state-of-the-art electromagnetic particle testing device for reliable one-man inspection.

Also available:
DC Power Supply



Electro-Spect Testing Systems, Inc.
ISO-9001 Registered QMS
13402 Weiman Rd.
Houston, TX 77041 U.S.A.
TEL: 713-896-8322 FAX: 713-464-3192
www.estsinc.com



The **Ferrous-Probe** line of induced magnetic field products are often preferable to high-amperage prod units. Since no current flows through the inspection piece, you eliminate localized heating and arc burns which later can become failure defects.

Our **Model ES-X Ferrous-Probe Flexible Leg** is a compact, lightweight, electro-magnetic particle inspection probe for critical surface crack inspection. It has shock resistant, safety orange epoxy plastic, that is reinforced by fiberglass.

STRAIN RELIEF SYSTEM:

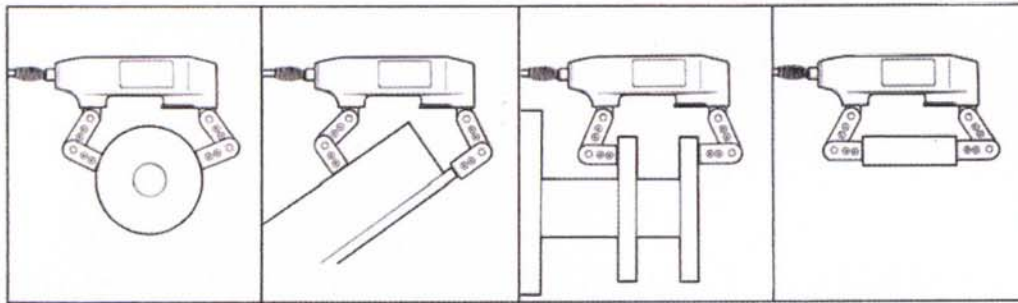
Equipped with Heyco spring system and stainless steel end plate to prevent cord rotation

CORD ATTACHMENT:

Our cord attachment is equipped with Heyco strain reliefs and anodized end plates to prevent cord rotation. Our ES-X has brass contacts rising from the core body within the cord box. This allows the electrical cord to be easily removed or replaced by simply unscrewing the leads from the brass contacts. This system prevents cord shorts due to arcing between leads.

SWITCHBOX:

Our molded switch box is water resistant. The momentary on-switch is soldered to leads rising from the core body within the box. This allows the switch to easily be replaced and prevents any arcing.



Applications of the ES-X Ferrous-Probe™

SPECIFICATIONS

| WEIGHT | VOLTAGE | HZ | AMPS (in air) | LIFT CAPACITY |
|--------|---------------|-------|---------------|---------------|
| 7lbs. | 42/115/220 AC | 50/60 | 3.0/5.75/2.0 | 15lbs* @ 115v |

**Meets or exceeds the following specifications:*

- ASTM E709, ASTM E1444
- ASME SECTION V, ARTICLE 7
- MIL-STD-1949
- MIL-STD-271

A kit can be purchased that includes the following:

- 1 - Ferrous Probe Yoke - with 25' cord
- 1 - Carrying case
- 2 - lbs. red inspection powder
- 2 - lbs. gray inspection powder
- 1 - powder bulb
- 1 - blower bulb
- 1 - magnetic field indicator



Electro-Spect Testing Systems, Inc.

ISO-9001 Registered QMS

13402 Weiman Rd.

Houston, TX 77041 U.S.A.

TEL: 713-896-8322 FAX: 713-464-3192

www.estsinc.com